

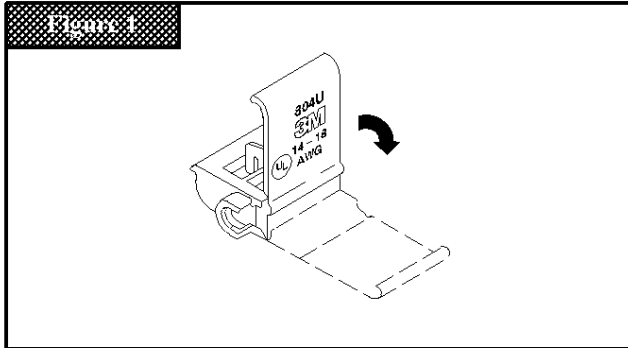
## Installation Instructions:



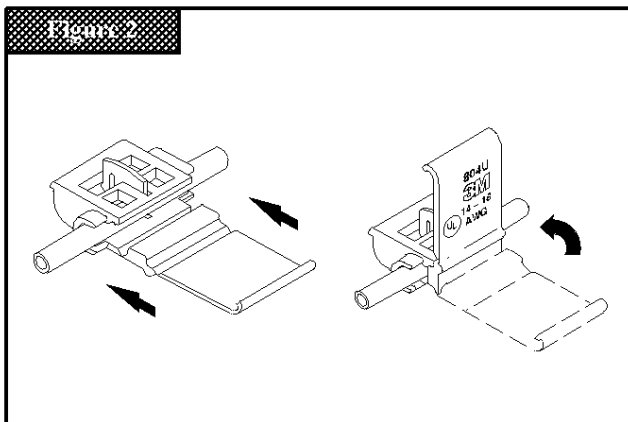
**WARNING**

Turn power off before installing or removing terminal. All electrical work should be done according to appropriate electrical codes.

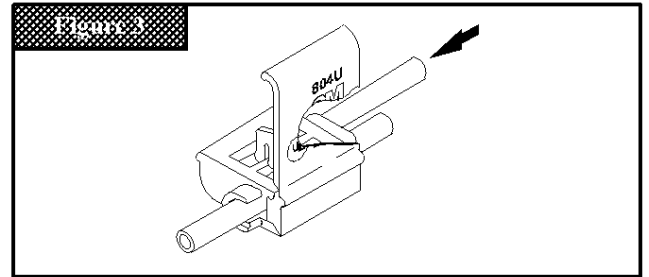
1. Open hinged side wall (Figure 1).



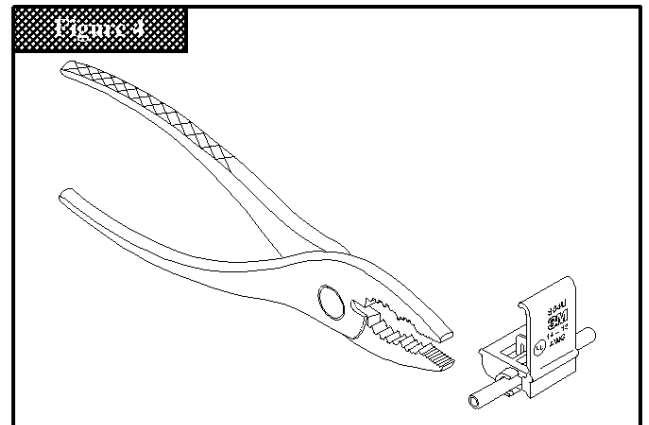
2. Place unstripped run wire inside run channel and close hinged side wall (Figure 2).



3. Insert unstripped tap wire completely into tap port (Figure 3).



4. Hold tool perpendicular to the wire and make the connection by crimping the u-contact down flush with the top of the insulator (Figure 4).



5. Close over until latched (Figure 5).

